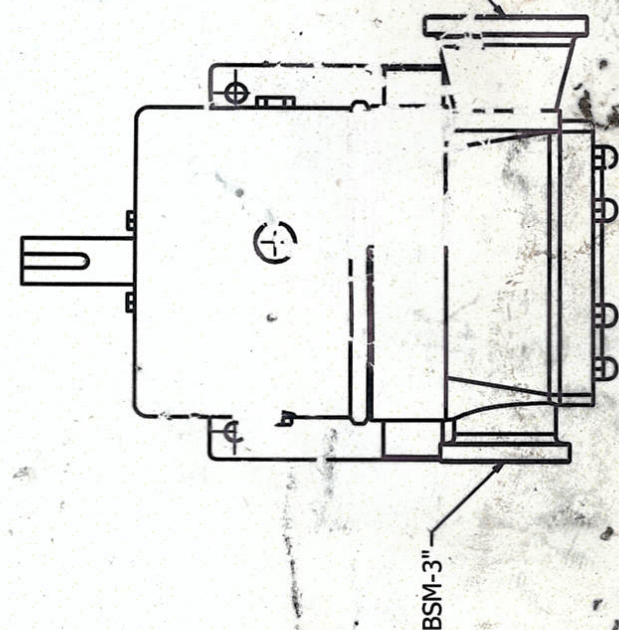
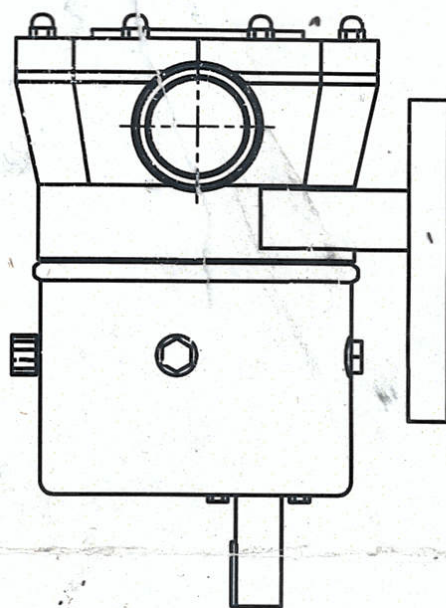
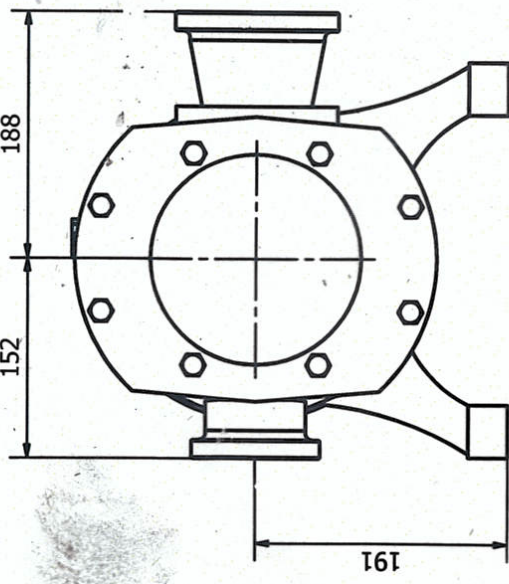
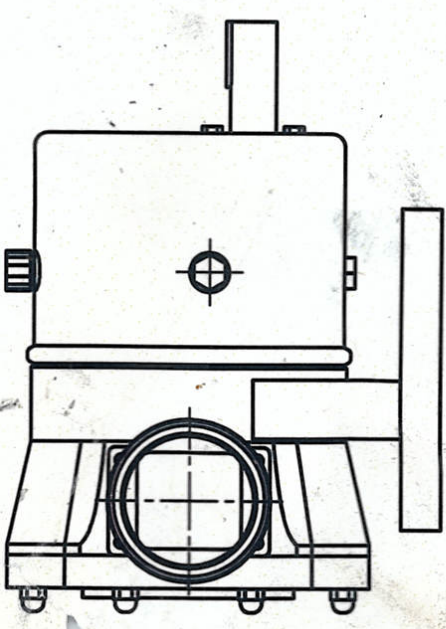


6 5 4 3 2 7 8 A



Mount with BSM-4"



NOTE:

1-118
 88-mk
 11302
 4237
 13920-BF
 5817-B

DATE: _____
 DATE: _____
 DATE: _____

PROJECT: Mt Gambia DW4
 DESCRIPTION: _____

DRAWN: _____
 APPROVED: _____
 LAST REV: _____

PART NUMBER: _____

DW4_073_bottom 31-1-93i

SPX
 P.O. BOX 1000
 HERMANNA, PA 15340
 412-862-8700 FAX 412-862-8701